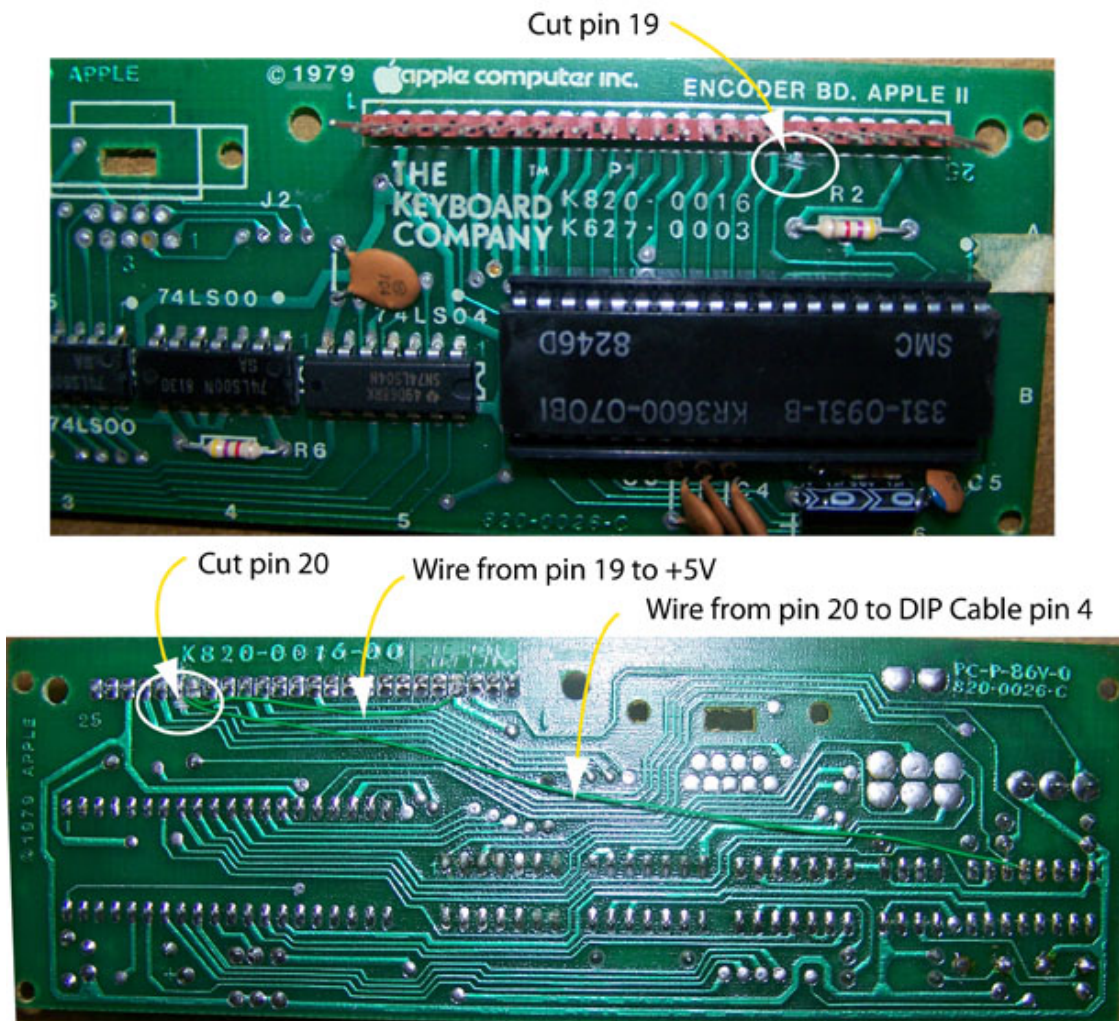


Using Apple II Keyboard for Apple 1

Wendell Sander February 16, 2010

The Apple II Keyboard makes a very nice Keyboard for the Apple 1. The Repeat Key on the Keyboard version that has a separate converter board can be changed to act as the Clear Screen Key by the Board change shown in Figure 1. Figure 2 illustrates the schematic change.

To connect the Apple II Keyboard to the Apple 1 use 2 DIP sockets to remap the pins of the Apple II to the Apple 1. Figure 3 illustrates a bottom view of the DIP



socket wiring.

Figure 1

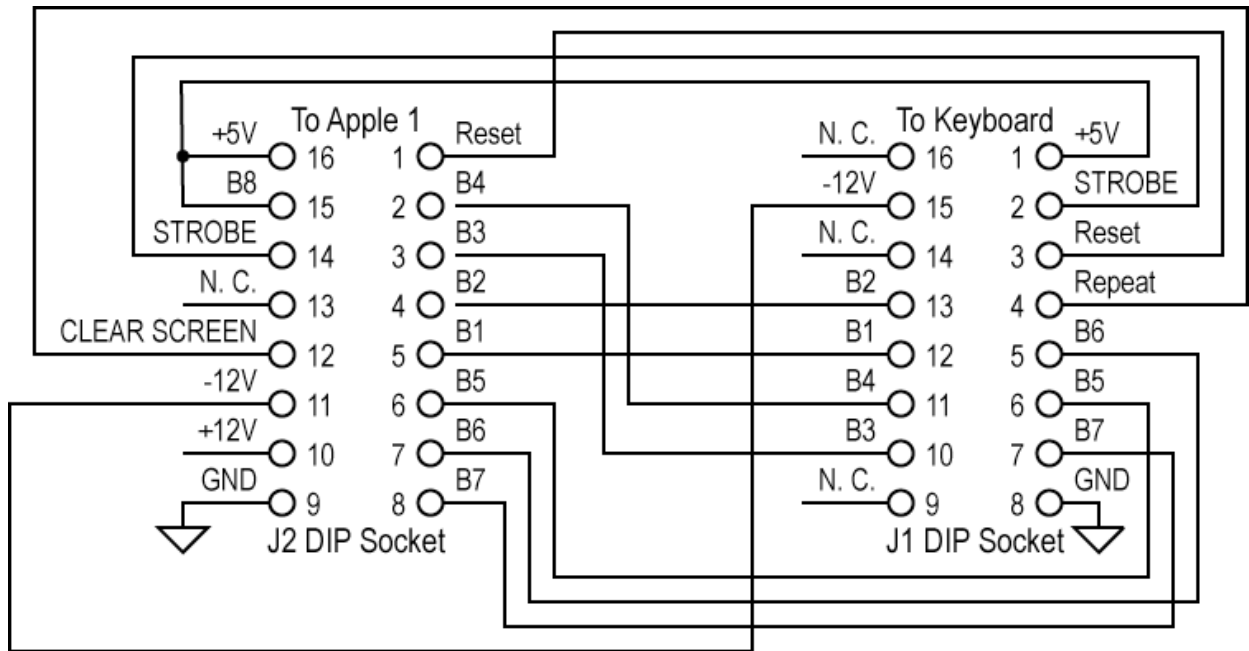


Figure 3